




PRODUCT OVERVIEW

Office Rectangular Desk with Steel Double Upright Cantilever Frame (FSC) | 1800X600 | Arctic White/Graphite

TC • SKU CORE1860DUWHTGRP



Office Rectangular Desk with Steel Double Upright Cantilever Frame (FSC) | 1800X600 | Arctic White/Graphite

SKU	CORE1860DUWHTGRP
Brand	TC
Stock	In stock

PRICING

Sign in to view pricing.

Product Gallery

Additional product images

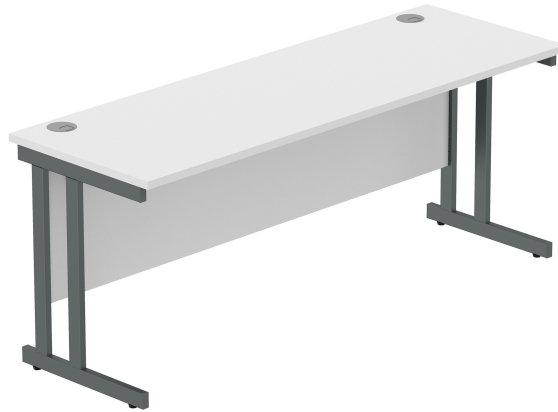


Image 2 • gallery



Image 3 • gallery

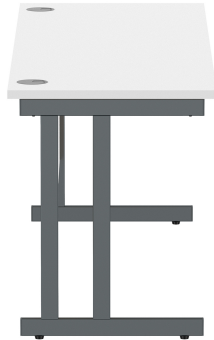


Image 4 • gallery

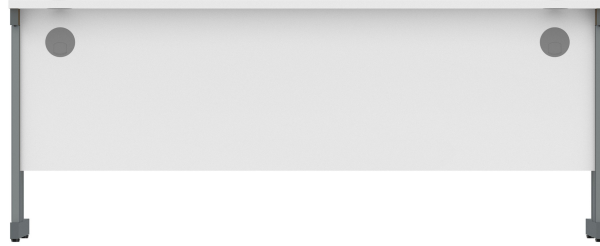


Image 5 • gallery

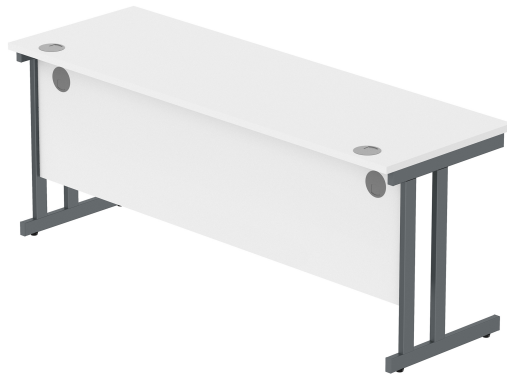


Image 6 • gallery

Key Features

Important highlights of this product

- Double Upright Steel Frame
- Adjustable feet for levelling on uneven floors
- Wooden top finish
- Wooden back panel
- Two cable ports

Description

Extended product overview

Our Rectangular Desk has been designed with a steel double upright cantilever frame, for practicality, stability and an aesthetically pleasing office environment